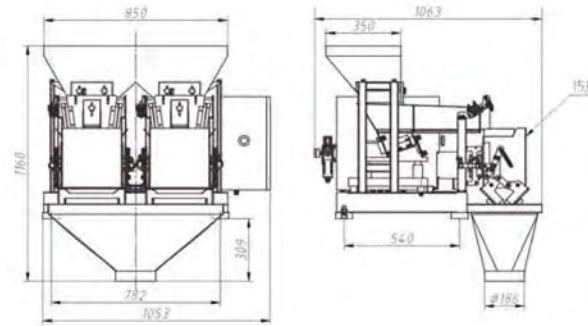


2nd G Linear Weigher



Application

It is suitable for weighing slice, roll or regular shape products such as sugar, salt, seed, rice, sesame, glutamate, milk powder, coffee and season powder, etc.

Mechanical Character

1. Sanitation with 304S/S construction;
2. Rigid design for vibrator and feed pan make feeding strictly correct;
3. Quick Release design for all the contact parts.

Features

1. Grand new modular control system.
2. Adopt stepless vibrating feeding system to make products flow more fluently.
3. Make mix different products weighing at one discharge.
4. Parameter can be freely adjusted according to production.

Technical Specification

Model	FT-AX1	FT-AX2	FT-AXM2	FT-AX4	FT-AXS4
Identify Code	X1-2-1	X2-2-1	XM2-2-1	X4-2-1	XS4-2-1
Weighing Range	20~1000g	50~3000g	1000~12000g	50~2000g	5~300g
Accuracy	X(1)	X(1)	X(1)	X(1)	X(1)
Max Speed	10-15P/M	30P/M	25P/M	55P/M	70P/M
Hopper Volume	4.5L	4.5L	15L	3L	0.5L
Parameters Preset No.	20	20	20	20	20
Max Products Mixed	1	2	2	4	4
Power Requirement	220V / 700W / 50/60Hz / 5A	220V / 1200W / 50/60Hz / 6A	220V / 1200W / 50/60Hz / 6A	220V / 1200W / 50/60Hz / 6A	220V / 1200W / 50/60Hz / 6A
Packing Dimension(mm)	860(L)x570(W)x920(H)	920(L)x800(W)x890(H)	1215(L)x1160(W)x1020(H)	1080(L)x1030(W)x820(H)	820(L)x800(W)x700(H)