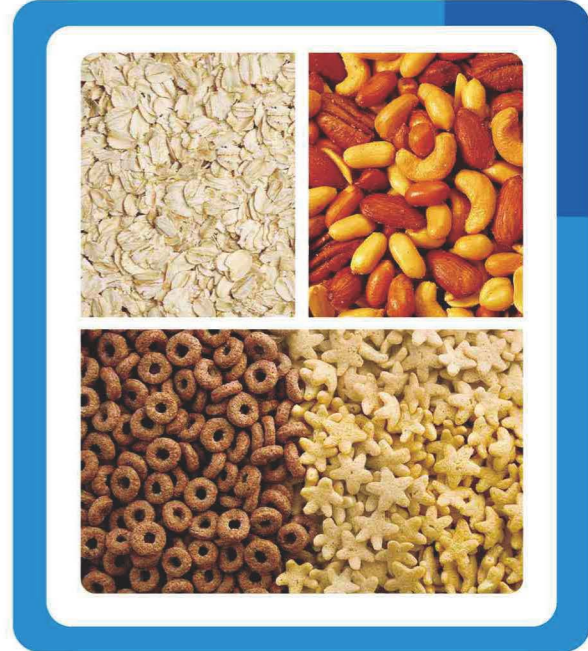
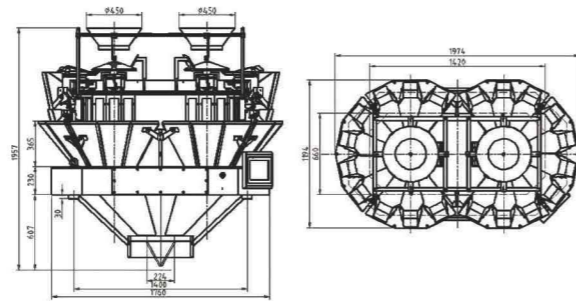


**Standard 20 Heads Multihead Weigher**  
(Mixing mode/High speed mode)



**Application**

It is suitable for weighing a single material with high-speed or various mixing products, such as oatmeal, mixing nuts etc.

**Features**

1. High speed mode can be used for a single material.
2. The weight of the mixing can be automatically compensated by the last products.
3. High accuracy and tailored load cell.
4. Intelligent multi-sampling stable mode, higher accuracy.
5. Intelligent alarm diagnosis.
6. High speed stagger dump function.
7. New Modular and CAN bus technology, more efficient and stable.
8. Modbus Industry communication protocol.

**Mechanical Character**

1. Upper storage funnel is divided to weight two different products.
2. Separate main vibrator, control the thickness of product independently.
3. Integral machine frame and machine cabinet contributes to more stability and higher accuracy.
4. Machine frame, discharge chute with compatible design, Single discharge chute gate can change to double with twin packaging machine when just one kind of product.
5. Uniform design standards, and mould processing, contribute to better interchangeability for spare parts.
6. Stable actuator design reduce the mechanical vibration and improves the load cell value accuracy.

**Technical Specification**

Model	FT-A20	FT-A20
Identify Code	A20-2-2 (O Type)	A20-2-2 (8 Type)
Weighing Range	20~2000g (Mixing Mode) / 10~1000g (Single Mode)	
Accuracy	X(0.5)	X(0.5)
Max Speed	65P/M (Mixing Mode) / 120P/M (Single Mode)	
Hopper Volume	1.6L/2.5L	
Control Panel	10.4" Touch Screen	
Options	Dimple Plate / Timing Hopper / Printer / Reject Device	
Driving System	Step Motor	
Power Requirement	220V / 2000W / 50/60Hz / 16A	220V / 2000W / 50/60Hz / 16A
Packing Dimension(mm)	1920(L)x1650(W)x1620(H)	1880(L)x1600(W)x1240(H)
Gross Weight	850kg	850kg