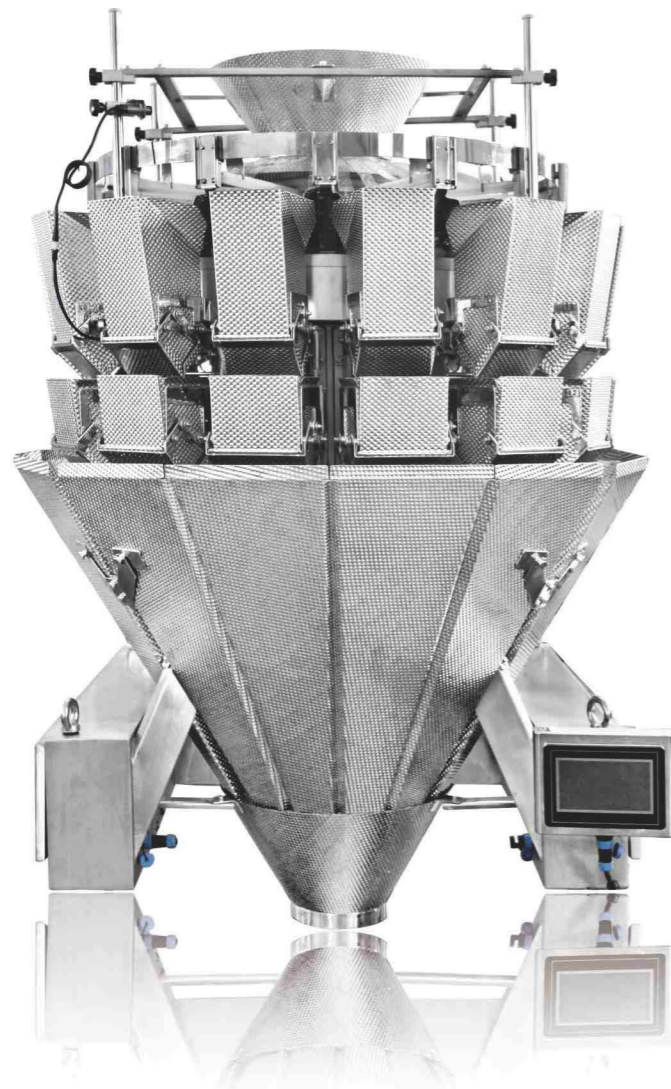
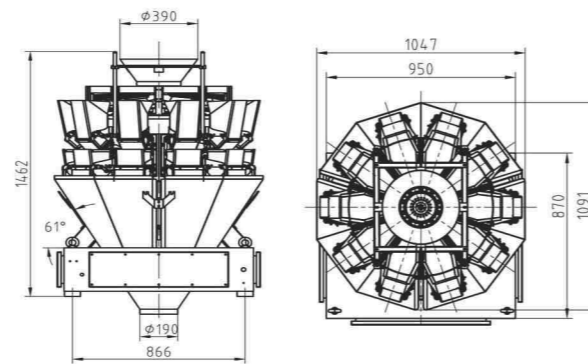


Noodle Weigher



Application

It is suitable for weighing soft strip products such as noodles, rice noodles, bean sprout, etc.

Features

1. Adopt high precision and high accurate loadcell of famous brand, resolution is improved up to 2 decimal.
2. Program recovery function can reduce operation failures and support multi-segment weight calibration.
3. No products auto pause function can improve weighing stability.
4. 100 programs capacity can meet various weighing requirements and user-friendly help menu contributes to easy operation.
5. Linear amplitude can be adjusted independently.
6. Many languages available for global markets.

Mechanical Character

1. Suitable for products with max 300mm length.
2. IP65 cabinet design, dimple plates for food contact parts.
3. Air pressure system built in cabinet prevents the electronic components from damage due to humidity.
4. 60° steep discharge chute makes sure products discharge smoothly.
5. Equipped with a specially designed central cone, rotary top cone and dispense the products into each linear feeder pans evenly.
6. Rotary rollers equipped between each linear feeder pan helps to dispense the long soft products into feed hoppers.
7. Aluminum thickened middle standing enhances the strength of the machine, making the time for stabilizing hoppers much shorter.

Technical Specification

Model	FT-A10	FT-A14
Identify Code	A10-1-6	A14-1-6
Weighing Range	10~1000g	10~1500g
Accuracy	X(0.5)	X(0.5)
Max Speed	30P/M	60P/M
Hopper Volume	2.5L	
Control Panel	7" Touch Screen	
Options	Dimple Plate /Timing Hopper /Printer / Reject Device	
Driving System	Step Motor	
Power Requirement	220V / 1000W / 50/60Hz / 10A	220V / 1500W / 50/60Hz / 12A
Packing Dimension(mm)	1620(L)x1100(W)x1420(H)	1750(L)x1130(W)x1570(H)
Gross Weight	380kg	490kg