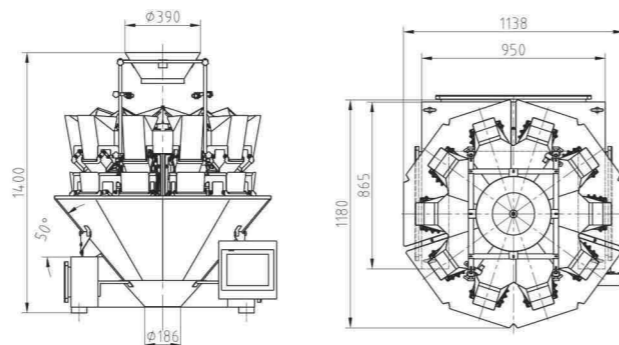


Weigher for Frozen Food



Application

It is suitable for weighing frozen foods, such as frozen fishes, fruit, frozen dumplings, rice dumplings, etc.

6.15 languages available for global markets.

Features

- 1.High-precision, high-standard special load cell,resolution up to 2 decimal places.
- 2.Program recovery function can reduce operation failures, Support multi-segment weight calibration.
- 3.No products auto pause function can improve weighing stability and accuracy.
- 4.100 programs capacity can meet various weighing requirement,user-friendly help maun in touch screen contributes to easy operation.
- 5.Linear amplitude can be adjusted independently,can make the feeding more uniform.

Mechanical Character

1. IP65 cabinet design, dimple plate for food contact parts.
2. Air pressure system built in cabinet prevents the electronic components from damage because of humidity.
3. Uniform design standards contribute to better interchangeability for spare parts.
4. Optional weighing type material detection, accurate control of feeding time, material thickness, to ensure the accuracy of the weighing.
5. The whole cast aluminum thickening machine case enhanced the strength of the machine, and shorten sample stable time.

Technical Specification

Model	FT-A10	FT-A14
Identify Code	A10-1-7	A14-1-7
Weighing Range	10~1000g	10~1500g
Accuracy	X(0.5)	X(0.5)
Max Speed	65P/M	120P/M
Hopper Volume	1.6L/2.5L	
Control Panel	7" Touch Screen	
Options	Dimple Plate /Timing Hopper /Printer / Reject Device	
Driving System	Step Motor	
Power Requirement	220V / 1000W / 50/60Hz / 10A	220V / 1500W / 50/60Hz / 12A
Packing Dimension(mm)	1620(L)x1100(W)x1110(H)	1750(L)x1130(W)x1200(H)
Gross Weight	380kg	490kg