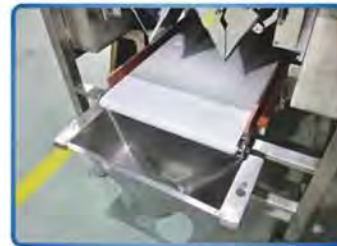
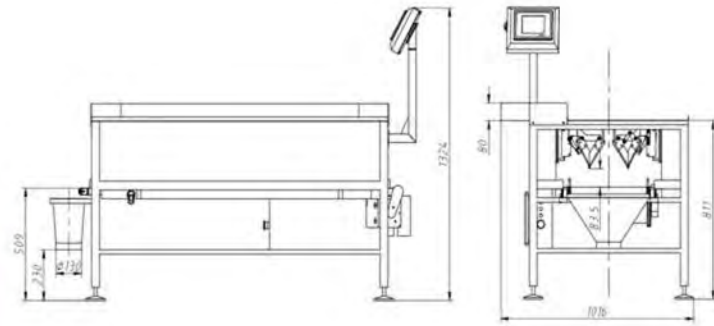


Manual Weigher



Application

It's suitable for weighing seafood, aquatic products, meat food, Chinese medicinal materials and other poor flowability materials.

Features

1. Manual feeding, automatic weighing, it's suitable for poor flowability material.
2. Optimal combination of weight hopper to meet the target weight optimal combination to automatic feeding.
3. Special load cell with high precision and high standard.
4. With intelligent multiple sampling stable mode, make weighing higher accurate.
5. Intelligent fault alarm, convenient maintenance.
6. High speed staggered discharging function, effectively prevent blocking materials.

7. With high integrated modular design and CAN bus technology.
8. Modbus industry standard communication protocol, realize the interface combination of multihead weigher and packaging machine.
9. Other features are the same as first generation models.

Mechanical Character

1. The size of the working table is suitable for one person operation, the layout is reasonable.
2. Feeding with conveyor belt to avoid sticking material.
3. Easy detachable working table and conveyor belt are easy to clean.
4. With the refraction lamp as the feeding signal, make feeding convenient and accurate.

Technical Specification

Model	JW-A12	JW-A14
Identify Code	A12-2-4	A14-2-4
Weighing Range	50~1000g	50~1000g
Accuracy	X(0.5)	X(0.5)
Max Speed	30P/M	30P/M
Hopper Volume	3L	
Control Panel	10.1" Touch Screen	
Options	Dimple Plate / Timing Hopper / Printer / Reject Device	
Driving System	Step Motor	
Power Requirement	220V / 50/60Hz	220V / 50/60Hz
Packing Dimension(mm)	1700(L)x1100(W)x900(H)	1900(L)x1100(W)x900(H)
Gross Weight	220kg	250kg